

FIG.1

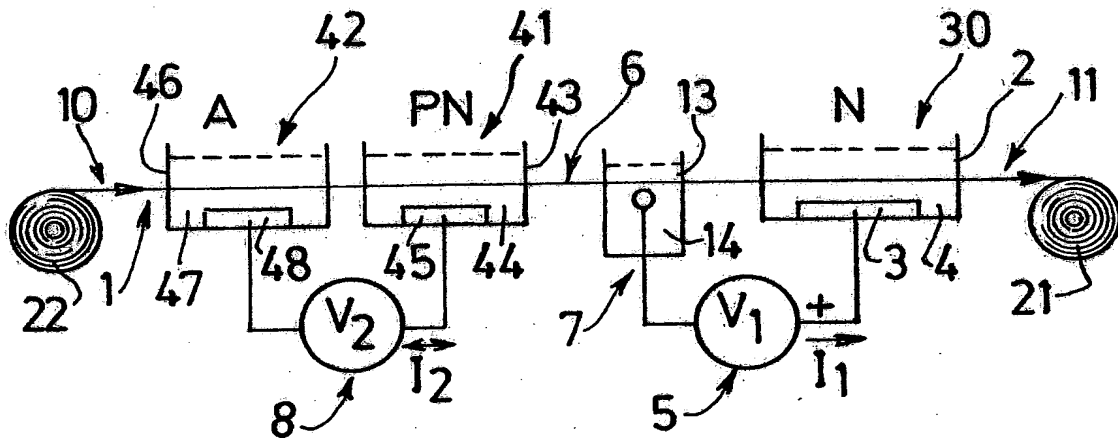


FIG.2

2025 RELEASE UNDER E.O. 14176

2/3

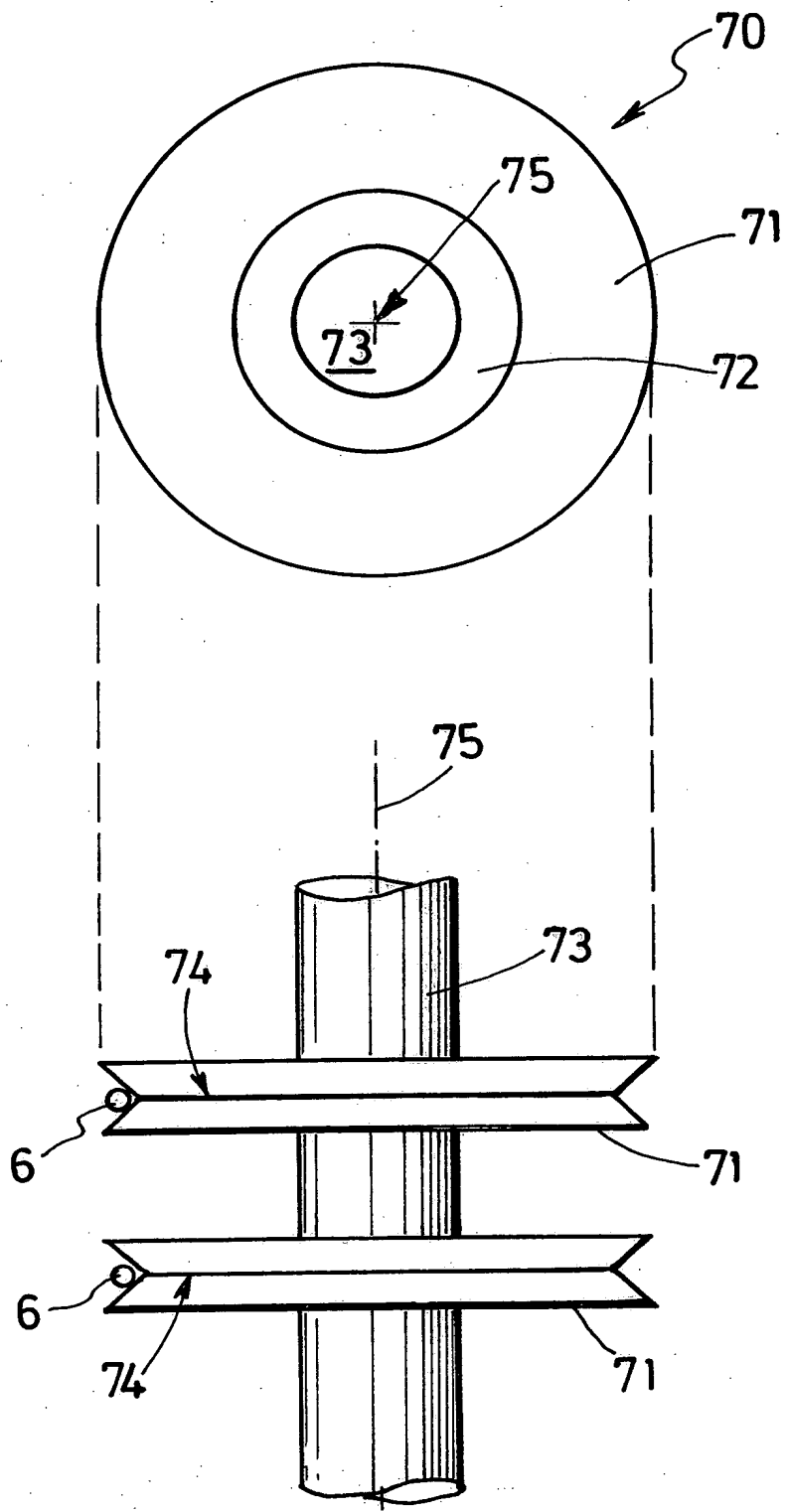


FIG.3

20250896 011802

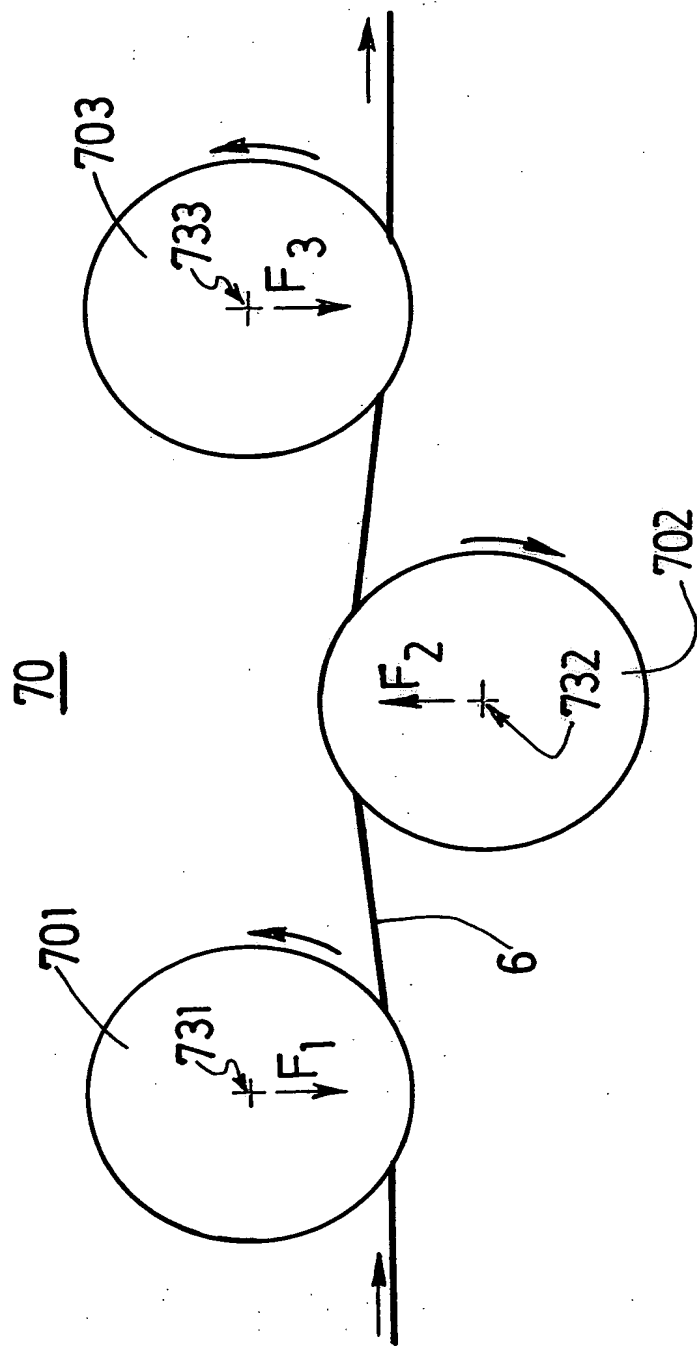


FIG.4